

FEDERATION INTERNATIONALE DE LA PECHE SPORTIVE EN MER

F.I.P.S -M

A.s.b.l – Association sans but lucratif

Registre de Commerce et des Sociétés Luxembourg F7236



KAYAK FISHING AT SEA

English Rules

(Version 2024)

Rules for kayak fishing at sea

Table of contents

1.	Definition of kayak fishing at sea	3
2.	Participation.....	3
3.	Fishing zones.....	3
4.	Kayak.....	3
5.	Rods – Bait - Lines	3
6.	Ranking	4
7.	Results and Trophies.....	5
8.	Protests.....	6

Rules for kayak fishing at sea

1. Definition of kayak fishing at sea

Kayak fishing at sea can be done either anchored or drifting. According to the specifications, taking into account the specific local conditions. Jigging, trolling and spinning may be permitted by the organizer. Kayak fishing is a "catch and release" method of ecological fishing, where no fish are killed.

The competitor must have reached the age of 18 years.

2. Participation

Three teams consisting of 3 anglers per team are allowed to participate in this competition. Individual anglers are admitted for nations that cannot register a full team. A maximum of 3 full teams or 2 teams plus an individual (2 individuals already count as a team) can register. National or club teams are equivalent for the ranking.

The championship consists of 3 matches of 4 hours duration, without a training day and a reserve day.

3. Fishing zones

The fishing area must be limited with 4 clearly visible buoys and have a sufficient size to allow kayak fishing. Each competitor will receive a map of the fishing area with the coordinates of the four points. A reserve area must be provided in case of a sudden change in weather.

The steward's boat, present at all times in the fishing zone, will give the signal for the start and end of the round.

4. Kayak

Kayaks must be personal or rented by the competitor. They must be in good standing with the national provisions for navigation of the country where the competition takes place. The kayak must meet the conditions to guarantee the safety of the competitor. Kayaks can move only by the use of paddles, rowing or pedals; all other ways of moving are prohibited. The competitor must wear a life jacket specific to his weight, have an audible signal or whistle, a mobile phone to communicate with the jury (communications between competitors are prohibited). The use of GPS and an echo sounder is permitted. The kayak which, because of technical problems, is no longer in condition to navigate, can be replaced by a reserve kayak. Time lost for replacement cannot be recovered. A floating mooring can be used to limit drifting.

5. Rods – Bait - Lines

It is only allowed to fish with 1 rod and 1 reel. One spare rod with a reel and line through the rings but without terminal tackle is allowed. It is allowed to have more rods in the kayak but not assembled.

The baits can be natural or artificial according to the instructions of the organizer. In case of a championship with natural baits, it is mandatory to use those provided by the organizer in equal quality and quantity for all competitors. Chumming is prohibited. Bait elastic can be used to fix the bait.

The assembly of the rig as well as the materials used are free. It is permissible to use attractive devices such as shiny spoons, coloured floating or non-floating beads (maximum size 15 mm), coloured feathers

or fluorescent parts on the hook line (not on the rig line body). 3 floating beads per rig are allowed. (The hook line is the part of the rig of the line with a hook). The use of sliding hooks is prohibited.

For fishing with natural bait only single hooks (all kinds) are allowed. For fishing with artificial lures, only a simple hook, free of any limited size, is allowed. Any competitor using or being in possession of incorrect hooks during or after the competition will be disqualified.

The main line can be nylon or braid with a free diameter of choice. The length of the rig body is limited to the maximum length of the rod used and may be equipped with a maximum of 3 hooks or 3 artificial lures according to official provisions. The use of a float is prohibited.

During the event kayakers must respect a minimum distance of 30 meters. During the competition one cannot receive or give help in the fishing action, except in case of danger.

Each event will last 4 hours. All kayakers must go to the meeting point set by the organizer in the fishing area. After the call, the jury will give a signal to start the round and kayakers can choose their fishing positions. A safety boat will remain in the fishing zone for the duration of the event.

6. Ranking

The results of the top two competitors of a team will count for the team classification and the individual result will count for the final individual ranking according to the FIPS-M regulations.

For each day of competition, separate individual rankings and team rankings will be made. The highest number of points obtained by a fisherman will determine the ranking order.

The fish are measured in cm, photographed on the measuring ruler (checked by the jury) and released as quickly as possible. To have the clearest possible photo, the measuring ruler must be fixed on the kayak.

The photo must be sent to the jury via WhatsApp (not via the cell phone gallery). After checking, the jury will award the points, which will then be entered into the FIPS-Mer ranking program.

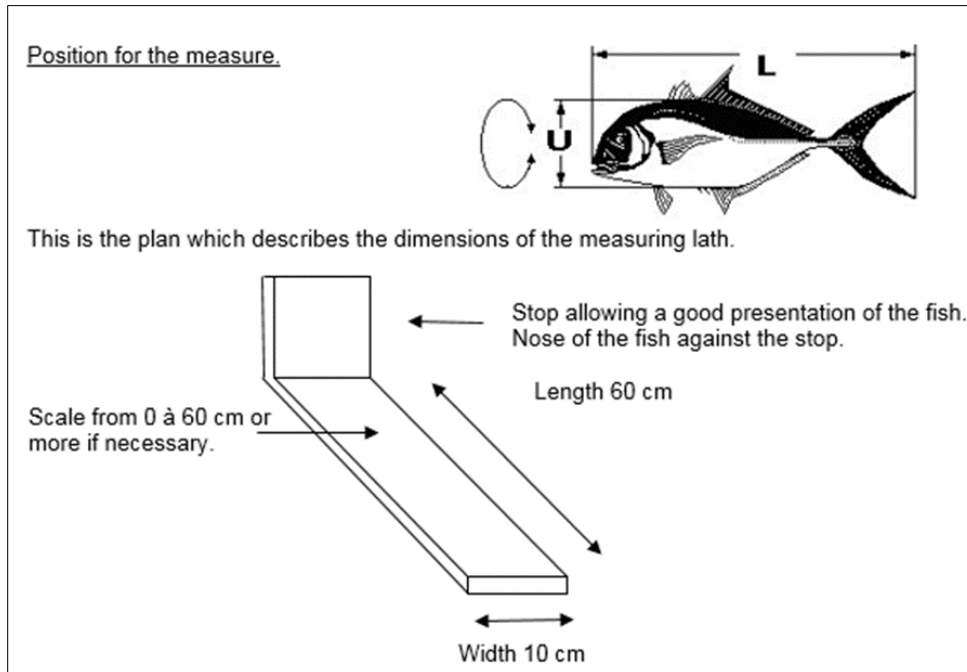
The landing of a fish onboard can only be done with the help of a landing net, which must not cause injury to the fish.

The minimum length of countable fish is 18 cm.

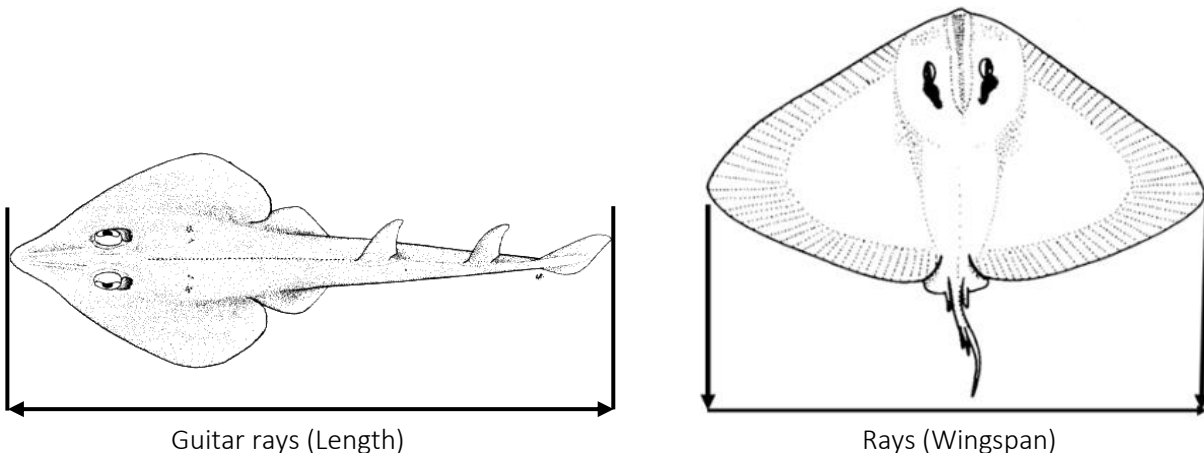
Ranking on length (Rules FIPS-M)

- For every fish with a legal size (≥ 18 cm) 10 points
- For every centimetre (1 cm) 1 point
Every size measured must be rounded up (e.g 23.1 cm. =24 points)
- For every fish « Over Size » (= bigger than 50 cm) an extra bonus of 50 points will be added to the measured length/points of this fish.
- By an equal score of points between anglers the angler with the most number of fish will prevail. If there is still an equality the angler with the biggest/longest fish will prevail
- If, after both above mentioned options, there is still an equality, the anglers concerned will receive the same classification.

The length of the fish will be measured with the mouth against the baffle of the ruler and with the tail in a natural position to achieve the maximum length.



Rays, will be measured across the wingspan (in some countries, the official conversion is to length).
 Guitar rays, will be measure by length.



7. Results and Trophies

- The daily results, validated by FIPS-M delegate(s) will be published every day,
- At least 2 hours before the proclamation of final classification the final results, the classification of all the competitors and the teams must be published.
- For World Championships or Continental Championships FIPS-M will provide medals for the best 3 individuals and best 3 teams. These medals will be given to the competitors, the reserve and the captain.
- Other trophies, such as a trophy for the biggest fish etc, can be provided by the organisation.

8. Protests

- a. An amount of 100 € or an equivalent amount in another currency in the money of the country is due for every protest presented to the international jury.
- b. The jury meets at the latest one hour after the announcement of the results and takes a decision, which is binding for everyone, after 1 hour of deliberations.
- c. The decision must be recorded in writing, and shall be sent to the general secretary of FIPS/M.
- d. The jury must pay attention to listen to the person and his reasons why he presented the protest, also to others concerned and the competition manager if necessary or possible.
- e. The decision of the jury shall be in accordance to the statutes of FIPS/M, to the FIPS-M competition rules, and with the agreements made for the event, and in this indicated order.
- f. If the jury gives its agreement to the protest, a member of the jury returns immediately the protest fee to the initiator of the protest. The management of the competition must make the necessary corrections.
- g. If the protest is judged negatively the jury shall transfer the amount of the protest fee to the account of FIPS/M.
- h. The decision of the jury has to be announced.
- i. In exceptional circumstances when a dispute cannot be resolved by the jury, it will be up to the FIPS-M Board to make a final decision, which may go as far as disqualifying a team or even a nation. The financial consequences of such a decision cannot be apportioned to FIPS-Mer and must be covered by the organiser of the competition.
- j. It is the same when a team leaves the competition without having issued a protest in good and due form to the Jury, the financial consequences will be charged to the team or the nation it represents. In that case the concerned federation cannot enter a team the following year in the concerned discipline.