



Affiliée à la Confédération Internationale de la Pêche Sportive – C.I.P.S.  
Membre de « SportAccord »  
Registre de Commerce et des sociétés de Luxembourg F7236

Trieste 30 May 2022

## **Report of the FIPS-M General Assembly**

**May 13, 2022**

**43<sup>rd</sup> CIPS Congress in Acapulco MEXICO**

### **1. Presences**

Present: Mr. Gilbert Zangerlé (President); Mr. Attilio La Porta (Secretary General), Mr. Alberto Marchi (Vice-President), Mr. Carlos Baptista (Vice-President), Mr. Juan Antonio Barreda (Vice-President).

Excused: Mr. Carlos Vinagre (Technical Commission), Mr. Arthur Van Tienen (Technical Commission), Mr. Fethi Bayar (Technical Commission), Mr. Louis Morvan (Treasurer).

The President Mr. Gilbert Zangerlé welcomes all the representatives of the different member federations and opens the FIPS-M 2022 General Assembly. He thanks all the members of the committee for the support they have given him and for the work they have done during 2022

### **2. Quorum**

For a General Assembly to be validly constituted and representative, 2/3 of the member federations must be present or represented at the first meeting or 50% at the second meeting. Of the 39 member nations (federations) in 2021, 22 federations are present or represented, which guaranties the quorum of 50% of member federations in the second session.

The 2022 General Assembly is therefore legally constituted.

### **3. Acceptance of the agenda**

The agenda proposed by the FIPS-M board is accepted unanimously.

### **4. Reports**

All reports were previously sent by mail to all FIPS-M member federations.

#### **a. Report of the General Assembly of Comano Terme Italy (October 1, 2021)**

Secretary General M Attilio La Porta summarizes the main points of the report of the 2021 Elective General Assembly.

b. FIPS-M 2021 Activity Report

The President informs the Assembly in detail of the meetings and the work of the Board of Directors.

c. Report of the FIPS-M Technical Commission

The report of the Technical Commission presented by Mr. Carlos Baptista, summarizing the work that has been done by the Technical Commission throughout the year. Details of “Rule Changes” will be discussed under point 6.

d. Environment Report

The report on the environment, presented by Mr. Alberto Marchi, explains the necessary actions and measures that will have to be adopted for our competitions to avoid pollution, especially with plastic materials.

e. Youth Report

The report on youth policy, presented by Mr. Juan Antonio Barreda, informs us of the actions needed, even at CIPS level, to encourage National Federations to develop the training and participation of young people.

f. Finance Report

The balance of the 2021 accounts was done by the treasurer Mr. Louis Morvan. A written report drawn up by Mr. Otal indicates that the expenses and receipts were accurately recorded and that the commission found no anomaly or incorrect movements.

After the presentation of the balance of the FIPS-M accounts by Mr. Morvan by videoconference, Mr. Victor Otal, President of the auditors, takes the floor and confirms the impeccable management of the accounts and consequently proposes to give discharge to the Treasurer and to the Board of the FIPS-M.

**5. Discussion and acceptance of reports**

The President asks the meeting if there are any questions regarding the reports or if further explanation or information is required. As no one takes the floor, we go to the vote separately, report by report. Reports a, b, c, d, e, f, of item 4 of the agenda are accepted unanimously.

**6. Amendments and adaptation (precisions) of the Rules**

Draft amendments and explanations for all rules have been emailed to all member federations. (Documents discussed below in grey and italic)

# Amendments to the rules (2023)

## GENERAL RULES

### Preamble (page 4)

The International Federation of Sea Angling (FIPS-M) was founded within the International Confederation of Sporting Angling (C I P S), which includes ~~four~~ **three** International Federations:

- Freshwater (Coarse) Angling (F.I.P.S. - ED)
- ~~Casting (F.I.S.L.)~~
- Sea Angling (F.I.P.S. - M)
- Fly-Fishing (F.I.P.S. - Mouche)

1.25 (page 12): During the captains meeting, each one of those present from participating nations and the organizing committee have one vote for the resolutions.  
An extraordinary meeting can be requested by the jury, the organizer or by the team captains with a majority of 50% plus 1.

~~The members of CIPS Presidium, the members of the FIPS-M board and also the members of the international jury can take part in the meeting as advisors.~~

2.02 (page 14): Only the National Federation can register teams, clubs or individual anglers at the FIPS-M Championships.

**A partial time participation, which does not allow a team classification, is not allowed.**

3.04 The duration of a world championship or continental championship is:

- European Championship Shore Angling with floats  
**3 competition days (without a training day and a reserve day) 4 hours min.**

**Prohibition of smoking and drinking alcoholic beverages in the fishing area or on the boat by the angler, the captains and the officials. After a first warning, the non-respect of the rule will lead to the disqualification of the angler (or direct disqualification?)**

## SHORE ANGLING RULES

### C. Team Composition (page 4)

Art. 3: **In a "Pairs" competition only 3 pairs plus 1 reserve pair per Nation are allowed. Anglers in a pair are considered as a unit. So a reserve pair can only replace a pair that goes out (not a single angler of a pair).**

# Precisions concerning the FIPS-M 2022 rules

## BOAT ANGLING

Chap. A : Art 3 (page 3)  
JUNIORS (U21)

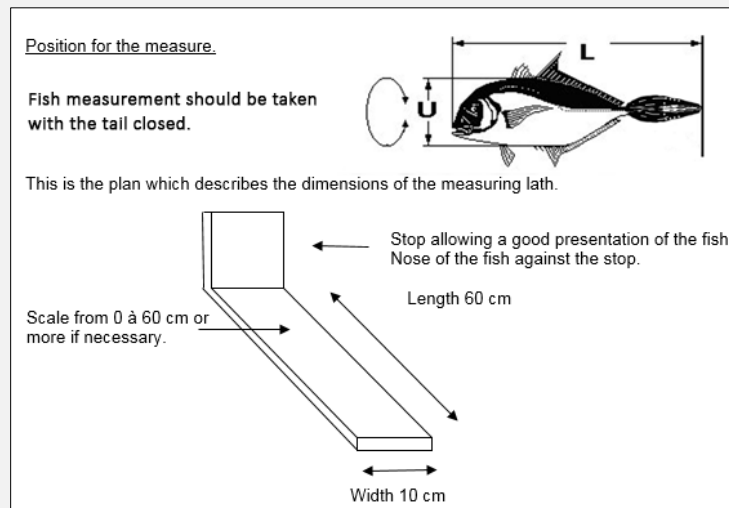
Chap. C : Art 3 (page 5) to add

For Boat Angling a maximum of three single hooks are permitted on the trace, or 1 single hook and a double hook, or one triple hook.

**Only single hooks (any type) are permitted. For the Mediterranean, the hooks must have a gap of at least 5mm, for all other seas the hooks must have a minimum gap of 7mm. Any competitor using or being in possession of incorrect hooks during the competition will be disqualified. In case of doubt only the official FIPS-M calibers are valid.**

Chap. I : Art 2 (page 15) to change the picture and add text

**Fish measurement should be taken with the tail closed.**



## SHORE ANGLING

Chap. B : Art. 4 et Art. 5 (page 3)  
JUNIORS (U21) - Youth (U16)

Chap. E. Art. 6 (page 5) to add

**In case of doubt only the official FIPS-M calibers are valid.**

Chap. E : Art. 10 (page 5) to add

Bait prepared before the start of the competition must be done away from the sea at the back of a competitors area.

**Only captains/vice-captains can enter the fishing area, before the start of the competition, to help their anglers with the preparation of the equipment.**

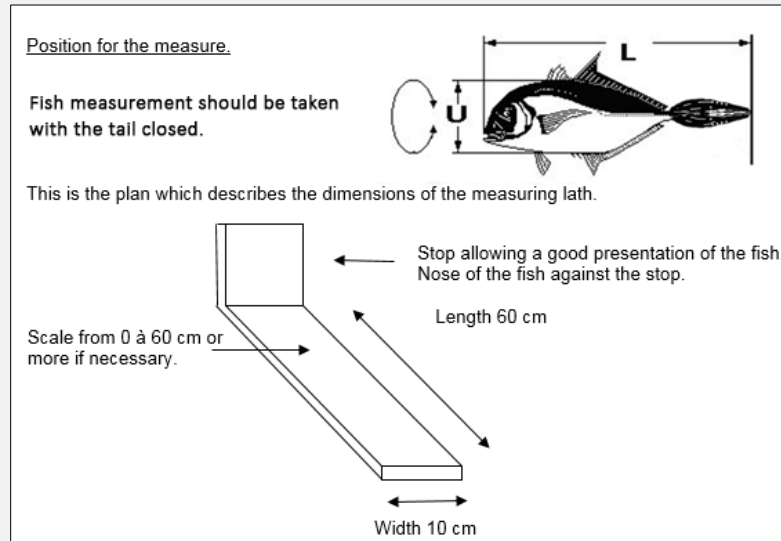
Chap. E : Art. 24 (page 6) to add

Fish under the minimum legal size or during catch and release event should be returned to the water at the point of capture after being verified by a steward.

*The angler is responsible for his fish. He must check the measure and sign the score sheet (for each fish). The control and signature can also be done by the captain/vice-captain of the respective team (not by the reserve angler).*

Chap. I : Art 2 (page 9) to change the picture and add text

***Fish measurement should be taken with the tail closed.***



## **LONG CASTING OF SEA WEIGHTS**

Art. 9.02 (page 6): to add

*The casting area is separated from the zone by a beam 3.50 meters long and 10 cm high, of a material which should not entail any risk injury for the caster.*

***The virtual line continues without limit on both sides of the beam.***

## **BIG GAME**

Chap. A : Art 2.06 (page 4) to add

*The use of individual electronic instruments is not allowed (Mobile, GPS, echosounder, Panoptix ...). Fishing must be based on the know-how of the fisherman (skill) and not on the electronic instruments. For the Big Game, the instruments are an integral part of the boat. The lack of instruments must be considered as a failure and must result in the substitution of the boat.*

Chap. A : Art 3.1 (page 3) to delete and to add

*For technical reasons, the participation is limited to 2 teams per nation composed of 2 to 5 competitors (maximum of anglers/team given by the organizer) are allowed. ~~(Fishing from drifting boat: maximum 4 anglers)~~*

***It is forbidden for teams to have their own boats to participate in the FIPS-M championship.***

Chap. A : Art 4.2 (page 5) to add after point 3

***At the end of the match the steward takes 10 meters of the main line of the rods that have caught fish (up from the connection with the double line), winds it on a reel provided by the organization and puts it in a small bag signed by the angler who caught the fish. The steward must keep the piece of line with the score sheet to give to the Jury, in order to test it.***

Chap. A : Art 5.2 (page 6) delete "yellow flag"»

All the boats should be equipped with a radio transmitter-receiver (VHF), a GPS, ~~a yellow flag to indicate a fight with a fish~~, as well as a sign showing the boat identification letter. Boat equipment has to be in accordance with the nautical regulations. Lifesaving equipment must meet the rules of the country where the competition is held.

Chap. A : Art 5.5 (page 6) to delete

The competition management must notify the captains of the boats engaged in the competition to keep a minimum distance of 1/2 mile from the back or sides of the boat, which is in fight with a fish. When playing a fish this must ~~be indicated by a special flag and must~~ be communicated by radio to all the other boats participating in the championship. With the approval of the skipper and the angler fighting with a fish, the commissioners' boat or the press boat may approach with caution at a reasonable distance to allow them to take pictures or to film.

Chap. A : Art 5.6. (page 6) to add

Each team, must immediately inform the competition management per radio (VHF) about every bite, indicating:

1. the number and name of the boat
2. the name of the angler fighting
3. the time of the bite
4. GPS position
5. **the time of the release**

Chap. A : Art 7.2. (page 7) to add

Once the competition is over, the rods must be removed from the railing of the boat. Any boat found after the finish time with a rod on the railing of the boat, whether the line is in the water or not, will be disqualified. This eliminates any possibility of complaint from another competitor by consideration the difficulty of judging at distance if a line is in the water or not.

**When the boat is running at high speed to return to the harbour, the rods can be put in the gunwales to avoid being damaged.**

Exception:

However, if an angler is still fighting a fish, which was hooked before the end of the competition, the continuation of the fight with the fish and the name of the angler have to be announced by radio. All the other lines must be taken immediately out of water, and removed from the railing of the boat. **The Jury will establish and communicate by radio the time to complete the fight and to be added to the time needed to return to the harbour.**

Chap C : Art. 8 (page 11) precision to add

During the fight with a fish the captain of the team may ask the skipper to leave the anchorage for the time necessary to retrieve, measure and release the fish. If there is another strike while the anchorage is tired the fish will not count.

**Precisions concerning the double strike (Boat at anchor)**

**If the boat is anchored and if within one (1) minute of the first strike there is a second strike (= double strike) both fish count.**

**If the second strike occurs after one minute, the second fish does not count.**

Chap. E : Art 17 point 11 (page 18) to delete

It is forbidden to use tongs to hold fish by the mouth. It is allowed to use all instruments ~~(lasses and similar)~~ that can facilitate the release and rapid removal of the hook.

## **GENERAL RULES**

Chap IV : Art 3.04 (page 17) to add

*A competition can only be stopped or the time changed with the agreement of the competition management and international jury..*

***In the event of a storm and lightning, the rods must be placed immediately in a horizontal position.***

Chap. IV : Art. 8.05 (page 24) to add

***In case of doubt only the official FIPS-M calibers are valid.***

---

### **Cases of disqualification (non-exhaustive list)**

- *Any competitor who uses or possesses hooks outside of FIPS-M rules during competition.*
- *The use of additives for baits (such as dyes or odorants).*
- *The use of bait other than that provided by the organization*
- *Use of unauthorized equipment*
- *The action of trying to hook the fish with jerky movements or line jumps*
- *Place more than 3 floats per leader*
- *Place floats larger than 15 mm (1.5 cm)*
- *Keeping or trying to present for measure a fish not caught by himself to the commissioner*
- *Dispute and violent fight between 2 anglers lead to the disqualification of both*

### **Warning of the angler in evidence (non-exhaustive list)**

*(The angler's second warning in evidence results in disqualification even if the offense is repeated on another day of the competition)*

- *Resuming fishing before putting the captured fish in a container with fresh water. The fish will not count for the ranking and the angler will be warned. He will be disqualified imperatively in case of repetition.*
- *Casts must be made straight ahead of the angler's position. In certain circumstances (very strong winds or currents) casting can be done upstream, but always in a way that other anglers are not disturbed.*
- *The choice of weights is free; however, the weight cannot be less than the authorized weight. In extreme weather conditions, heavier weights or even grapple weights must be used so as not to disturb neighbouring competitors.*
- *Permission to leave the competition area for a short time may be given by the commissioner. In this case the line must be taken out of the water.*
- *Incorrect behaviour vis-à-vis the steward or jury by the competitor or the captain*
- *At the end of the event, the competitor must retrieve his line quickly unless he is retrieving a fish caught just before the end of the event.*
- *The visible placement of the bib is mandatory.*

- *The use of a cell phone or other transmitter, fish detector, GPS, etc. by the competitor is prohibited.*
- *Fishing outside the position assigned to him by the draw (fish caught do not count and time lost will not be recovered)*

The President opens the discussion and asks if the proposed modification concerning the prohibition of smoking and drinking alcoholic beverages by anglers, captains and officials should include a first warning or direct disqualification.

After discussion, the assembly approves this rule of direct disqualification of anglers unanimously which must come into force from 2023. The disqualification for captains which is approved with the majority (20 votes in favor and 2 abstentions).

All the other changes are accepted unanimously.

## **7. Admission of New Member Federations**

One new federation has applied for FIPS-M membership

- **Algeria:** “National Association of Pleasure and Sports Fishing (ANPPS)”  
Application for membership as an Ordinary Member of CIPS. This request is unanimously accepted by FIPS-M. The final acceptance was ratified by the CIPS congress.
- Exclusion of **Malta** and **Albania** for non-payment of the membership fees.

## **8. FIPS-M International Sports Calendar**

The Secretary General asks for the approval of the candidacies for the championships until 2025

These are approved unanimously. The updated international calendar can be downloaded from the website ([www.fips-m.org/fr/calendrier-international-fr](http://www.fips-m.org/fr/calendrier-international-fr))

# **International Tournament Calendar**

## **BOAT ANGLING**

### **1. World Championships Boat Angling (Seniors)**

- 2022 PORTUGAL - 57th World Championship from 24th September till 1st October 2022 at Albufeira
- 2023 CROATIA - 58th World Championship in October 2023 at Novigrad (Cittanova)
- 2024 IRELAND - 59th World Championship Seniors

### **2. World Championships Boat Angling Youth U21 (16 to 21 years)**

- 2022 PORTUGAL - 21th World Championship from 24th September till 1st October 2022 at Albufeira
- 2023 IRELAND - 22nd World Championship
- 2024 IRELAND - 23rd World Championship Youth

### **3. Worldchampionships Boat Angling Clubs**



- 2022 MONTENEGRO - 14th World Championship Boat Angling for Clubs from 21st till 28th May 2022 at Herceg Novi
- 2023 PORTUGAL - 15th World Championship
- 2024 FRANCE - 16th World Championship
- \*\*\* **2025 CANDIDATE SPAIN** - 17th World Championship

#### **4. Worldchampionships Light Tackle Boat Angling**

- 2023 SOUTH AFRICA - 1st World Championship Light tackle Boat Angling in Mosselbay from 11<sup>th</sup> till 18<sup>th</sup> March 2023

### **SHORE ANGLING**

#### **5. World Championships Shore Angling (Men and Women)**

- 2022 TUNESIA - 38<sup>th</sup> World Championship Seniors and 29<sup>th</sup> World Championship Ladies - from 19<sup>th</sup> till 26<sup>th</sup> Novembre 2022 in Hammamet
- 2023 ITALY - 39<sup>th</sup> World Championship Seniors and 30<sup>th</sup> World Championship Ladies
- 2024 SPAIN - 40<sup>th</sup> World Championship Seniors and 31<sup>th</sup> World Championship Ladies
- 2025 PORTUGAL - 41<sup>th</sup> World Championship Seniors and 32<sup>th</sup> World Championship Ladies
- \*\*\* **2026 CANDIDATE** NETHERLAND - 42<sup>nd</sup> World Championship Seniors and 33<sup>rd</sup> World Championship Ladies
- \*\*\* **2027 CANDIDATE** BRAZIL - 43<sup>rd</sup> World Championship Seniors and 34<sup>th</sup> World Championship Ladies

#### **6. World Championships Shore Angling YOUTH (U16) - JUNIORS (U21)**

- 2022 FRANCE 30<sup>th</sup> World Championship Youth, YOUTH (U16) and 21<sup>st</sup> Worldchampionship JUNIORS (U21) in La Tremblade from 23<sup>rd</sup> till 30<sup>th</sup> April 2022
- 2023 NETHERLAND 31<sup>st</sup> World Championship YOUTH (U16) and 22<sup>nd</sup> Worldchampionship JUNIORS (U21)
- 2024 IRELAND 32<sup>nd</sup> World Championship YOUTH (U16) and 23<sup>rd</sup> Worldchampionship JUNIORS (U21)
- 2025 SPAIN 33<sup>rd</sup> World Championship YOUTH (U16) and 24<sup>th</sup> Worldchampionship JUNIORS (U21)
- \*\*\* **2026 CANDIDATE** ITALY 34<sup>th</sup> World Championship YOUTH and 5<sup>th</sup> Worldchampionship JUNIORS
- \*\*\* **2027 CANDIDATE** FRANCE 35<sup>th</sup> World Championship YOUTH and 26<sup>th</sup> Worldchampionship JUNIORS

#### **7. World Championship Shore Angling Clubs**

- 2022 CYPRUS 29<sup>th</sup> World Championship in Paphos from 22<sup>th</sup> till 29<sup>th</sup> October 2022
- 2023 SPAIN 30<sup>th</sup> World Championship
- 2024 FRANCE - 31<sup>st</sup> World Championship
- 2025 PORTUGAL 32<sup>nd</sup> World Championship

#### **8. World Championship Shore Angling Masters (over 55)**

- 2022 ITALY 5<sup>th</sup> World Championship for Masters from 1<sup>st</sup> till 8<sup>th</sup> October 2022 in Ortona
- 2023 MEXICO 6<sup>th</sup> World Championship for Masters
- 2024 CYPRUS - 7<sup>th</sup> World Championship for Masters
- 2025 FRANCE - 8<sup>th</sup> World Championship for Masters
- \*\*\* **2026 CANDIDATE** ITALY - 9<sup>th</sup> World Championship for Masters

## **9. World Championship Shore Angling Pair Angling (Duos)**

- 2022 FRANCE 4th World Championship Shore Angling Pair Angling from 28th May till 4th June in Mimizan
- 2023 ITALY 5th World Championship Shore Angling Pair Angling
- 2024 SPAIN 6<sup>th</sup> World Championship Shore Angling Pair Angling
- 2025 ITALY - 7<sup>th</sup> World Championship Shore Angling Pair Angling
- \*\*\* **2026 CANDIDATE** FRANCE - 8<sup>th</sup> World Championship Shore Angling Pair Angling

## **10. European Championship Float Angling**

- 2022 PORTUGAL 15th European Championship de Pêche au Flotteur de Bord de Mer in Vila Real de Santo Antonio from 18th till 22nd October
- 2023 ITALY 16th European Championship Float Angling
- 2024 GREECE 17<sup>th</sup> European Championship Float Angling

## **BIG GAME**

### **11. World Championships Big Game Fishing**

- 2022 ITALY - 30th World Championship B.G.F. (Anchored Boat) 10th till 17th September in Pescara
- 2023 SENEGAL - 31th World Championship B.G.F. (Trolling)
- 2024 MEXICO - 32nd World Championship B.G.F. (Trolling)
- 2025 FRANCE - 33<sup>rd</sup> World Championship B.G.F.

### **12. African Championship Big Game Fishing**

- 2023 SENEGAL - 1<sup>st</sup> African Championship B.G.F. (Trolling)

## **LONG CASTING OF SEA WEIGHTS**

### **13. World Championships Long Casting of Sea Weights**

- 2022 PARAGUAY - 24th World Championship Long Casting of Sea Weights (Seniors) and 8th World Championship Long Casting of Sea Weights (Ladies) in Asunción from 5<sup>th</sup> till 12<sup>th</sup> November 2022
- 2023 TUNISIA - 25th World Championship Long Casting of Sea Weights (Seniors) and 9th World Championship Long Casting of Sea Weights (Ladies)
- 2025 ITALIA - 27th World Championship Long Casting of Sea Weights (Seniors) and 11th World Championship Long Casting of Sea Weights (Ladies)

## **9. Questions and Discussion**

As no delegate asks questions, the President informs that some Federations have shown interest in the institution of a Boat Angling Championship for Masters. On April 30, we sent a questionnaire to all member federations, to see if they are interested in this new championship. Not many federations answered and most responded negatively. In conclusion, the FIPS-Mer will always be available to organize such a championship, under the condition that a sufficient number of nations participate to justify the awarding of a World Champion title, either individually or by team.

## **10. Diplomas**

The FIPS-M board awarded diplomas to the member federations whose anglers or teams have obtained a medal in 2021 during a championship.

Spain (20), Italy (15), Croatia (8), France (7), Tunisia (6), Portugal FPPD (5), South Africa (4), Argentina (3), Slovenia (3), Paraguay (1), Uruguay (1), Belgium (1).

### **11. Closing**

After thanking all the delegations for their presence and their constructive discussions, as well as the Federacion Nacional de Pesca Desportiva of Mexico for their logistical support during the Assembly, the President closed the 2022 General Assembly.



Gilbert Zangerlé  
President



Attilio La Porta  
General Secretary