

FEDERATION INTERNATIONALE DE LA PECHE SPORTIVE EN MER F.I.P.S -M

A.s.b.l – Association sans but lucratif
Registre de Commerce et des Sociétés Luxembourg F7236



SHORE ANGLING RULES

English Rules

(Version: 2024)

Table of Contents:

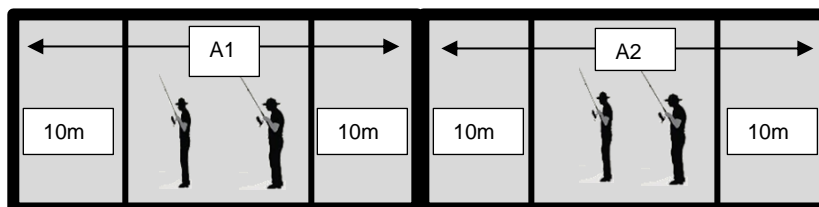
SHORE ANGLING RULES	3
A. Organisation.....	3
B. Angler Categories.....	3
C. Team Composition.....	4
D. General Guidelines for Beach Angling, Rock Angling, Angling from Harbour Installations and Float Angling	5
E. Beach Angling.....	5
F. Rock Angling.....	8
G. Angling from Harbour Installations.....	8
H. Float angling from Harbour Installations	8
I. Classification	9
1. Classification by Weight:	9
2. Classification by Measure:.....	9
3. Classification by Points by "catch and release" fishing:	11
4. Daily Classification.....	11
5. Final Classification	12
6. In a case of a tie in the Classification	12
7. Rankings of competitors (and teams) without fish	12
8. Pair Angling.....	12
9. Classification for Float Angling	13
10. Generalities for classification	13
J. Results and Trophies.....	15
K. Protest.....	15
L. External Observers for Shore Angling Championships	16
M. Annexe	17

The General Rules also apply to Shore Angling

Shore Angling Rules

A. Organisation

1. The number of sectors is determined by the maximum number of anglers allowed in a team.
2. During Championships each nation/club is only allowed to have 1 angler (or pair) per sector with the exception of pairs competition, where it is possible for two anglers to fish together on the same peg.
3. Each sector should be separated by a minimum of 20 meters (30 meters for pair angling)
There should be a 20 meter buffer zone (30 meter for pair angling) either side of any obstacle such as groynes, etc.
The corridor behind the fishing area must have a maximum width of 3 meters.
The distance between two sectors can not be greater than 10 minutes away by car.
4. Size of the sector pegs for Pairs Championships
In accordance with the size of the sector pegs for the individual championships, where the angler is to be placed approximately in the middle of his sector peg (width of the sector peg 20 m) and where there remains approximately 10 m of distance to the neighbor sector peg (= 20 m between the anglers), we recommend an identical distance between the sector pegs for pair competitions (see diagram). (If the peg is eg 30m, both anglers can use the middle 10m to fish).



5. A separate draw must be done for each day of the competition at the captains meeting or daily if required.
6. Youth championships (U16 and U21) must be fished in the hours of daylight. Championships for Adults should begin at least one hour before dark.

B. Angler Categories

1. Seniors
2. Ladies
3. Masters (≥ 55)
A competitor who reach the age of 55 between January 1st and December 31st in the year of the championship may take part as Master.
4. Youth (boys and girls (17 – 21 years)
Juniors (boys and girls) (12 – 16 years)
See : Age table: General Rules.

5. A club team can be composed of anglers from the different categories.
6. A Pair can comprise of Ladies, Seniors, Youth and Juniors. At least one adult (senior; lady) must be in a Pair.

C. Team Composition

1. A competitor is only allowed to compete for his own National Federation whichever country the competitor may be living.
In the case of participants with multiple nationalities, the nationality under which the competitor is federated (only one national federation is possible) and under which the competitor takes part in a FIPS-M competition for the first time prevails.
2. A national team or club which participates in a FIPS/M competition should comprise of five but at the very least four anglers.
3. In a "Pairs" competition only 3 pairs plus 1 reserve pair per Nation are allowed. Anglers in a pair are considered as a unit. So a reserve pair can only replace a pair that goes out (not a single angler of a pair).
4. For club competitions, a maximum of 2 different clubs per nation can participate plus the champion club from the previous year.
5. For Master competitions, a maximum of 2 teams per nation can participate.
6. Pairs are considered as 1 angler unit for the draw of the sector peg, the distribution of the bait and the daily and final ranking.
7. The names of team members have to be communicated and written to the organizer of the FIPS/M competition at least 30 days before the beginning of the competition.
8. Any changes of a teams registration whether it be the names or the reserve must be communicated to the delegates of FIPS-M and to the organiser on arrival or at very least 12 hours before the captains meeting.
9. Prior to the initial captains meeting each team captain must check that his listed competitors and reserve are correctly spelled and in the right order. He must sign the document accordingly.
10. It is possible to replace a team member before the start of each competition day. The replacement must be communicated in writing and given to the organiser or to the International Jury the evening before the day of the competition.
11. It is the choice of the team captain to change his team by using the reserve if required. This change must be registered by the timing as laid down by the organisation at the captains meeting.
12. Replacements are only possible with the reserve competitor registered on the registration form.

D. General Guidelines for Beach Angling, Rock Angling, Angling from Harbour Installations and Float Angling

1. For all disciplines the use of a mobile phone or other transceivers as GPS or detection equipment by the competitors during the competition is forbidden. The Captain/Reserve may use a mobile phone or other transceivers as GPS, Radio etc outside the competitors fishing area.
2. If for a personal justified reason (illness or other) the competitor wants to use his telephone, the permission to the steward or FIPS-m delegate is mandatory.
3. Competitors are only allowed to communicate with their team captain, vice-captain, reserve angler or steward during the competition.
4. The competitor and captain must be familiarized with the minimum sizes and restrictions of protected species.
5. Competitors must respect the fish, handling them with care.
6. The organisation has the right to dispose fish as they see fit.
7. In Pair competitions, each angler can use the material from both members of the pair.

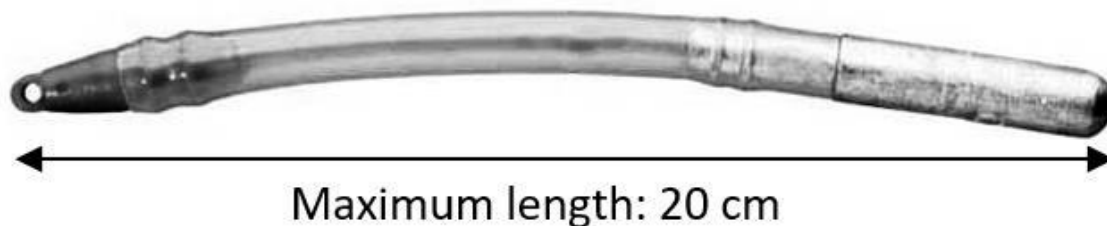
E. Beach Angling

1. The use of a rod with reel attached is compulsory.
2. Only one rod may be used which can be held or placed in a stand (two rods for pair angling).
3. The accepted maximum length of the rod is 5 meters. The rod must have a minimum of 3 rings on the blank and one tip ring.
4. The choice of reel is free but it must not be motorised.
5. The main line can be made of monofilament or braid.
6. Only single hooks of any kind are allowed.
For the Mediterranean Sea, hooks with a minimum bend of 5mm are permitted, for all other seas hooks with a minimum bend of 7mm are permitted.



- Any competitor found using or having in his possession non legal hooks, before, during or after the competition will be disqualified. In case of doubt only the official FIPS-M calibres are valid.
7. Traces used may have the maximum of three hooks.
 8. The assembling of the trace and associated materials are free. It is allowed to use attractive materials like bright spoons, coloured floating or non floating pearls (maximum size 15 mm), coloured feathers, and fluorescent parts and so on the hook line but not on the trace line (rig body).
The maximum of three floating pearls are allowed per trace (The hook-line is the part of the trace with the hooks). It is forbidden to glue feathers and other materials to the pearls. The use of a sliding hook on the main line is forbidden.
 9. The hooks must be baited with the bait provided by the organisation.

10. Bait prepared before the start of the competition must be done away from the sea at the back of a competitors area. Only captains/vice-captains can enter the fishing area, before the start of the competition, to help their anglers with the preparation of the equipment.
11. The use of bait additives (as colouring or odorous substances) is not allowed.
12. The FIPSm delegate has the right to take samples for analysing if required or inspect the anglers equipement including the tackle box.
13. The number of reserve rods is free. Reserve rods must be positioned at the back of the competitors box facing away from the sea. They can be prepared with a swivel or link to the mainline/leader.
14. The number of baited spare traces is unlimited
15. The rod stands is not allowed to be positioned in the water. They should be set approximately in the middle of an anglers area.
16. For casting and for landing a fish the competitor is allowed to enter the water to knee deep.
17. For landing big fish the competitor may leave his fishing peg without limit.
The other competitors must not disturb the competitor who is landing the fish.
18. An angler may enter the water to knee deep to take a fish with a net or by hand as long as the hook remains attached inside the fishes mouth and the line is not broken; however the use of a gaff is not permitted during the shore competitions.
19. Casting is permitted from all places within a competitors area, however casting is not permitted if a competitor/steward or other person is standing in front of his area.
20. Traces should be cast directly in-front of a competitors fishing area but in exceptional circumstances with strong winds and tides, casting uptide is permitted as long as it does not disturb other competitors.
21. For pendulum and other dangerous power casting styles an appropriate shock leader must be used.
30 lb (13,6 kg) minimum for a 3 oz (85 g) lead
40 lb (18,1 kg) minimum for a 4 oz (113 g) lead
50 lb (22,7 kg) minimum for a 5 oz (141 g) lead
60 lb (27,2 kg) minimum for a 7 oz (198 g) lead
70 lb (31,8 kg) minimum for a 8 oz (227 g) lead
22. Competitors may use weights of their choice with a 50 gr minimum.
The use of weights integrated into a floating element is permitted according to the specifications in the picture below. The assembly (weight and tube) must have the same diameter.



In extreme weather conditions heavy (grips) leads must be used to avoid discomfort of the adjacent competitors.

23. Captured fish must be kept in a container of fresh sea water until it has been verified by the steward. In the case of a dispute as to the length or species, the final decision will be made by the FIPSm delegate.
24. Fish under the minimum legal size or during catch and release event should be returned to the water at the point of capture after being verified by a steward. The angler is responsible for his fish. He must check the measure and sign the score sheet (for each fish). The control and signature can also be done by the captain/vice-captain of the respective team (not by the reserve angler).
25. Fish to be considered for classification must have at least one hook in the mouth.
26. If a fish is hooked in the mouth by one competitor and in the body by another, the fish will count for the anglers who's hook is in the mouth.
If a fish is hooked in the mouth by the hooks of two different competitors, the fish is not accepted for the classification.
If two competitors bring back tangled traces with one or more fish they can not be removed from the hooks until verified by a steward or FIPSm delegate to whom they belong.
27. During a competition, the competitors may retrieve their line quickly or slowly, but the action of snatching/ jigging is strictly forbidden and entails the disqualification.
28. At the end of a competition, the competitor must retrieve his line quickly, unless he/she is playing a fish just before the end of the competition.
29. In case of line breaking when the fish is on the beach it counts for classification. But if the line breaks when the fish is in the water it does not count for classification.
30. In case of crash of rod, reel or in case of impossibility to retrieve the line normally, the fish is valid when the main line is retrieved by hands by the angler (no line break).
31. If a net is required for landing a fish only the steward, team captain, reserve or adjacent competitors may go into the water to help.
32. Permission to leave the sector peg for a short time can be given by the steward, in this case the competitors line must be retrieved during this period.
33. At the end of the competition, the competitor should retrieve immediately and then remain in the sector peg until the catch/score has been verified by the steward and the competitors scoring card has been signed both by the steward and the competitor.
34. In the case of a protest it must be immediately marked on the competitors card, signed by both competitor and steward and given to the competition organiser.
35. Competitions must end before dark (at sunset).
36. The use of baits other than those supplied by the competition management, will lead to disqualification.
37. The use of equipment which is not authorized will lead to disqualification.
38. Nets are allowed to land the fish (no gaff).
39. If a competitor fishing area proves unsuitable due to nets or other obstacles the competitor can request in writing during the first hour only of the competition to be moved to the reserved peg at the end of the sector, however the competitor must remain on his original peg for the first hour. Any fish caught within the first hour will however count towards the classification.

In exceptional circumstances, due to safety concerns, the FIPS/M delegate has the right to move a participant during the competition period.

40. The international jury in agreement with the organiser can interrupt or stop a competition in case of harsh weather conditions or for security reasons.

If the break off takes place before the half time of the competition, the classification must be annulled and if possible an alternative competition maybe be provided.

If the competition is stopped half time, the competition results are valid.

If in one or more sectors the fishing must be interrupted due to swimmers, kitesurfers, professional fishing boats or others, the classification will be valid at the time of the interruption or definitive cessation, regardless of the duration of the fishing time.

41. The steward must update the table in the middle of the sector only with the number of catches of the past hour, without adding the catches of the previous hours.

F. Rock Angling

The previous regulations (E) are also valid for the Rock Angling with the following exceptions or descriptions.

1. Angling is allowed in the pelagic area (middle water), the seabed or on the surface.
2. With the agreement from adjacent competitors, up-tide casting into the wind or tide is permitted.
3. The use of a landing net is permitted, it can be lent briefly to/from another competitor. The landing of the catch must be made without help from the other participants, however a steward is permitted to help landing a fish.
4. Practice casting with a single weight is permitted prior the competition.
5. A competitor who is landing a fish has priority, other competitors must anticipate to the situation.
6. The competitor must pay attention for his own safety and that of others. He must pay attention to the tides, currents and breaking waves. Non-slip shoes are recommended. He should take all necessary safety precautions.
7. Two three-man-teams from National, Regional or Clubs may participate. The minimum age of competitors is 16 years.

G. Angling from Harbour Installations

The rules for this discipline of angling are the same as those applicable for rock angling (F), with the difference that the organizer must give very accurate information about the kind of harbour-installations such as a pier, mole, viaduct, extreme height, and so on.

H. Float angling from Harbour Installations

The previous regulations (E) are also valid for the Float Angling from Harbour Installations with the following exceptions and descriptions.

1. All fish count for the classification

2. The classification is based only on the total weight (This provision is important to release the caught fish as quickly as possible, without unnecessary additional handling).
In the case of a tie, the two competitors must be placed at the same place (id. team). The next place will not be allocated.
3. Possibility for an fishing with reel or without reel.
4. The use of keep nets is obligatory.
5. Angling with only one rod with a maximum length of 8 meters is allowed, but it is possible to have several reserve rods mounted with the trace.
6. The construction of the trace is free. Only one hook is allowed per trace (For all seas, hooks with a minimum bend of 5mm are permitted).
7. The use of a landing net must be done personally by the angler without any help
8. The float should have adequate buoyancy to keep the lead clear of the seabed. (The laying of the lead on the seabed is not allowed)
9. It is only allowed to use the baits provided by the organiser on the hook or for ground baiting.
10. Three teams per nation can participate, consisting of 5 anglers each, besides the reserve and captain. A team of 5 anglers may comprise a maximum of two juniors aged between 15 and 18. The team's reserve will be either an adult or a junior who, in this case, if there are already 2 juniors in the team, may replace only one other junior.
11. In the team classification, National and Club teams are treated equally.

I. Classification

Competitions which are spread over several days require a separate individual and team classification for each competition day.

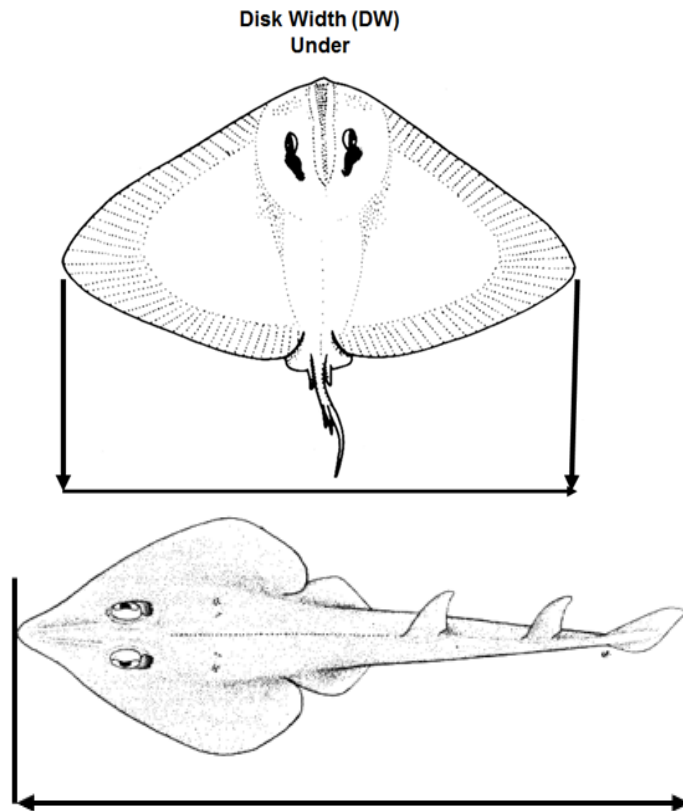
1. Classification by Weight:

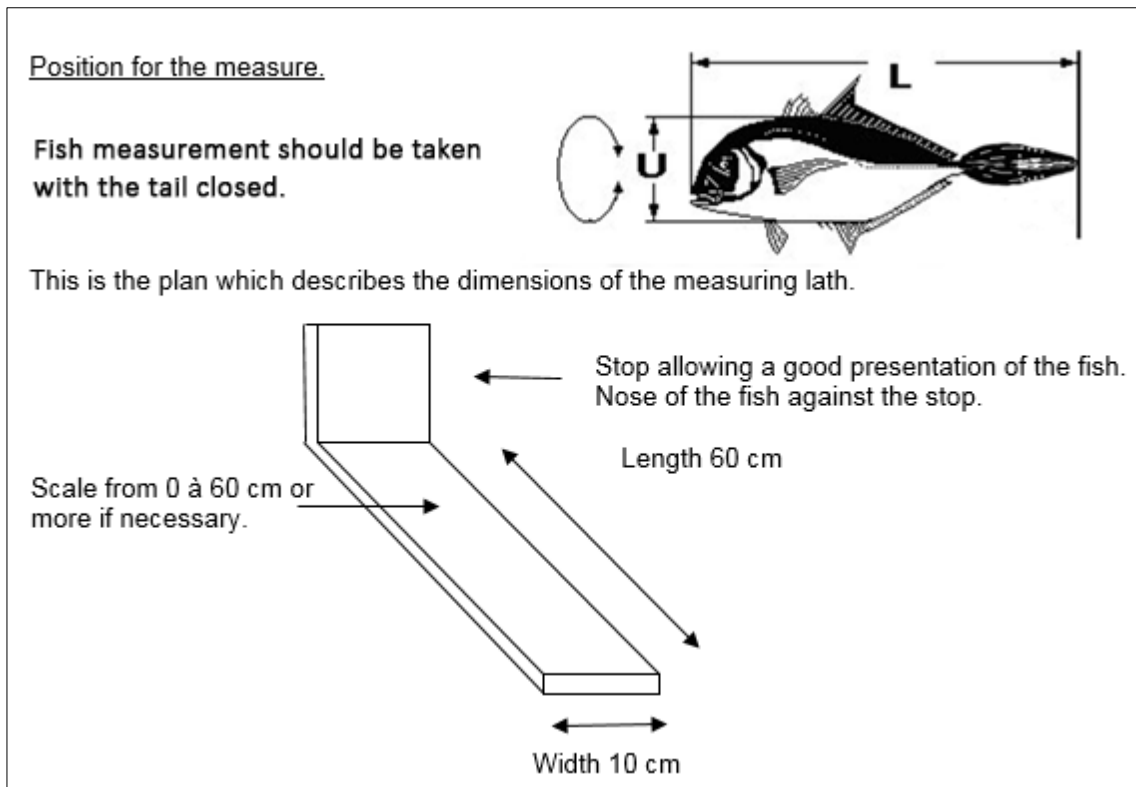
- One (1) gramme responds to one (1) point.
- The number and heaviest fish for each competitor must be record daily to be used in the case of a tie. (Float Angling: The classification is only based on the total weight)
- Float Fishing: To help conserve the survival of the captured fish, the ranking will be based solely on the total weight. In case of a tie, both competitors must be placed in the same place (id. for teams). The next place will not be awarded.

2. Classification by Measure:

- For each caught fish with legal size 10 points
- For each centimetre (1 cm) 1 point
- Each part of a centimetre is rounded up 1 point
- The longest and number of fish must be recorded daily to be used in the case of a tie
- Only the steward is allowed to measure the fish, in the case of a dispute the FIPSm delegate will make the final decision.

- The length is measured from the tip of the mouth to the end of the caudal fin on a flat surface. Fish measurement should be taken, if possible, with the tail closed. For Rays or skates the disk width (wings width) is measured or the length according to the conversion table of the organising federation.
For Guitar rays the length is measured (see the figures).





When a fish reaches the minimum size (12 cm in the Mediterranean resp. 18 cm in other seas) the fish is valid. In the case of the measurement system, the centimetres to be allocated must be rounded up, i.e. to 13 cm. This also applies to all subsequent measurements.

3. Classification by Points by "catch and release" fishing:

- Points allocated to each species or groups should be clearly published in the specification.
- The highest number of points gained by a competition will determine the ranking order.
- The number of fish in each point category must be recorded to be used in the case of a tie.

4. Daily Classification

- The daily individual (pair) classification is determined by an anglers (pair) ranking in the sector compared to the same ranking position of anglers (pairs) in the other sectors
- Team Classification. A teams four best individual ranking positions (2 best pairs) will count for the daily team classification.
- In the case of one or more sectors having less anglers (pairs) than the other sectors. For the daily individual classifications the sector with the least number of anglers (pairs) will be used. The last competitors in the sectors with the greater number of anglers will be ranked in the same position as the last anglers in the smaller sectors (as per example below).

Example:

Sector Classification

Sector A (5 anglers)	Sector B (5 anglers)	Sector C (4 anglers)	Sector D (4 anglers)	Sector E (5 anglers)
1 3500 p	1 4100 p	1 3550 p	1 3800 p	1 4000 p

2 3400 p	2 3500 p	2 3300 p	2 3700 p	2 3600 p
3 3300 p	3 3200 p	3 3250 p	3 3600 p	3 3400 p
4 3100 p	4 2900 p	4 3000 p	4 3150 p	4 3200 p
5 2600	5 2800			5 3050

Individual Classification:

- | | |
|------------------------------------|------------------------------------|
| 1. B1 (1 st in sector) | 13. A3 (3 rd in sector) |
| 2. E1 (1 st in sector) | 14. C3 (3 rd in sector) |
| 3. D1 (1 st in sector) | 15. B3 (3 rd in sector) |
| 4. C1 (1 st in sector) | 16. E4 (4 th in sector) |
| 5. A1 (1 st in sector) | 17. D4 (4 th in sector) |
| 6. D2 (2 nd in sector) | 18. A4 (4 th in sector) |
| 7. E2 (2 nd in sector) | 19. E5 (5 th in sector) |
| 8. B2 (2 nd in sector) | 20. C4 (4 th in sector) |
| 9. A2 (2 nd in sector) | 21. B4 (4 th in sector) |
| 10. C2 (2 nd in sector) | 22. B5 (5 th in sector) |
| 11. D3 (3 rd in sector) | 23. A5 (5 th in sector) |
| 12. E3 (3 rd in sector) | |

- d. For the Mediterranean Sea a minimum size of 12cm and for all other seas a minimum size of 15cm will be implemented on species which do not have a legal minimum size.
- e. For all undersize fish the organization has the option of awarding one point/gram per fish but these can not be included in the number of valid fish caught which are used in the results.

5. Final Classification

- a. An individual final classification is determined by the competitors daily rankings.
- b. A teams final classification is determined by their daily rankings.
- c. Competitors who have not participated during the entire championship will be listed with their respective daily scores below the final individual ranking position.
- d. The Reserve Angler who participated during each day of the competition in replacement of several members of its team, is not accepted to the final individual classification.
- e. The ranking of the training day will be used to validate the championship in case it is impossible to establish a final ranking, i.e., if less than 50% of the events could be completed. The ranking will be done according to our normal rules.

6. In a case of a tie in the Classification

Daily individual classification

- In the case of a tie the angler (pair) with the highest number of fish will rank first.
If, after taking into account the highest number of fish there is still a tie, it is the angler (pair) with the heaviest/longest fish who will rank higher.
For « catch and release » angling (point system), the competitor with the highest number of fish with the highest value (which is worth most points) will rank higher.

Example:

	Number of fish worth 1 point	Number of fish worth 2 points	Number of fish worth 3 points	Number of fish worth 4 points	Number of fish worth 5 points	Number of fish worth 6 points	Total of points	Total number of fish	Ranking
Angler 1	1	3	0	8	1	1	50	14	1
Angler 2	0	3	1	9	1	0	50	14	3
Angler 3	1	2	1	8	2	0	50	14	2

- If after these considerations there is still a tie the competitors will have an equal ranking.

Daily team classification

- In the case of a tie in the daily team classification, the team with the highest weight or points of all 5 competitors (3 pairs) will rank higher.
- If there is still a tie, then the team (5 anglers ; 3 pairs) with the highest number of fish of legal size will rank higher.
- And after that, the heaviest/longest fish of the 5 anglers (3 pairs) of the team, will be considered.

For « catch and release » angling (point system), first is the team with the highest number of fish with the highest value (which is worth most points) of the 5 anglers (see example above: replace “angler” by “team”).

- If there is still a tie, then the teams will have an equal ranking.

Final individual classification

- In the case of a tie the individual angler (pair) with the best daily position over all the days will rank higher.

	Day 1 (Place)	Day 2 (Place)	Day 3 (Place)	Sum	Best places	Ranking
Angler 1	1	3	4	8	1 ; 3	2
Angler 2	2	4	2	8	2	3
Angler 3	5	2	1	8	1 ; 2	1

- If the anglers still have an equal score after all the matches then you take into consideration the angler who has recorded the highest number of legal size fish during the competition days.

	Day 1 (Place)	Day 2 (Place)	Day 3 (Place)	Sum	Number of fish	Ranking
Angler 1	1	2	3	6	45	2
Angler 2	2	3	1	6	30	3
Angler 3	3	1	2	6	47	1

- If there is still a tie the angler who has caught the heaviest/longest fish, or for a point system, the angler with the highest number of fish with the best value (which is worth most points) over all the competition days will come first.

Final team classification

- In the case of a tie in the final team classification, the team with the best day ranking over all the competition days will rank higher.

	Day 1(Place)	Day 2 (Place)	Day 3 (Place)	Sum	Best places	Ranking
Team 1	1	3	4	8	1 ; 3	2
Team 2	2	4	2	8	2	3
Team 3	5	2	1	8	1 ; 2	1

- If there is still a tie, then the team with the highest weight or number of points considering all the 5 anglers (3 pairs) over all the competition days will rank higher.
- If the teams still have an equal score you take into consideration the team who has recorded the highest number of legal size fish during the competition days (5 anglers ; 3 pairs).
- If there is still a tie, then the team (5 anglers ; 3 pairs) who has caught the heaviest/longest fish or in case of «catch and release» angling (point system), the team with the highest number of fish with the highest value (which is worth most points) of the 5 anglers (3 pairs) over all the competition days will rank higher.

7. Rankings of competitors (and teams) without fish

- For competitors (pairs) without fish the formula below is used for their daily individual classification.

Sum of the not attributed places divided by the number of anglers (pairs) without fish (rounded up).

Example 1:

55 anglers in total : 48 caught fish - 7 without fish

→1-48 (normal rank)

Sum of the not attributed ranks: $49+50+51+52+53+54+55 = 364 / 7 = 52$

To each of these 7 competitors without fish is given the place (rank): 52

Example 2:

45 anglers in total : 23 caught fish - 22 without fish

1-23 (normal rank)

Sum of the not attributed ranks: $24 \text{ to } 45 = 759$ divided by 22 = 34,5

To each of these 22 competitors without fish is given the place (rank): 35

- If all the competitors in a team have no fish the team is ranked 1 (one) place after the last team with fish.

8. Pair Angling

- a. A maximum of 3 pairs per country are allowed to participate. The 2 best pairs count for the national general ranking.

- b. Individual pairs are allowed to participate but they only count for the individual (pair) ranking, not for the general national ranking.
- c. For pair competitions only the captain and the assistant captain (not the reserve anglers) may enter the fishing area and make contact with the members of the pair.

9. Classification for Float Angling

- a. Daily Individual classification
 - Ranking in the Sector calculated on weight (2 competitors with the same weight -> have the same ranking in the sector. The next ranking is not allocated)
 - Among all the 1st, 2nd, ... the classification is made on the Weight (if 2 anglers have the same sector ranking and the same weight → same daily ranking (next ranking not allocated))
- b. Final Individual classification:
 - The smallest sum of daily rankings (1st + 2nd day)
 - Best daily ranking
 - Sum of the weights of the 2 days
 - If everything is equal-> same ranking (next ranking not allocated)
- c. Daily Team classification
 - Sum of rankings for the 4 best anglers of the team
 - Sum of the weights of all the anglers in the team (5 anglers or 4 for teams with only 4 anglers)
- d. Final Team Classification
 - The smallest sum of daily rankings for the team (1st + 2nd day)
 - Best daily ranking
 - Sum of weights of the 1st + 2nd day (this sum is calculated on the 5 anglers: see daily team classification)
 - If everything is equal-> same ranking (next ranking not allocated)

10. Generalities for classification

- a. Penalty: A competitor who tries to record undersize fish will be penalized unless the fish has been previously accepted by a steward.
 - Any angler of a team bringing undersize fish to the scales will suffer a 10 point penalty for each such fish on a classification by length-points.
 - If the classification is made on weight-system, the penalty will be 1lbs. or 0,500 kg for each undersize fish.
 - During catch & release competitions only the steward is allowed to measure the fish so no penalty can be occurred by the angler.
- b. If a fish has been measured and accepted by the steward, it is not longer necessary to perform a control during the weighing except in an obvious case of error:
 - case of protest, announced at moment of control on the beach.
 - case of bad identification of a species.

- c. If a disputed fish which has been kept separate and marked on the control card is brought to the attention of the International Jury, delegates will make the final decision whether it is valid or not.
- d. Competitors who pack up early and leave the peg without permission from the steward will be disqualified.
- e. Case of Disqualification: In case of disqualification of a competitor, the team result will be determined by the remaining four competitors. If there is less than four competitors remaining the whole team will be disqualified from the daily team results. The remaining competitors of this team will be considered just for the individual classification.
- f. In the case that an anglers catch is lost due to the organisation before they have been weighed or measured, you take the average weight/measure of all fish caught in the competitor sector and then multiply the average weight/measure by the number of fish recorded on the competitors card.

J. Results and Trophies

1. The results must be published daily, these should be signed by the FIPSm delegates.
2. At least two hours before the proclamation of the final results of the competition, a copy of the results lists with all individual and team classification must be published.
A copy of these lists shall be sent to, the FIPS/M general secretary.
3. During World championships or Continental championships, three individual medals and three team medals are provided by FIPSm.
Team medals are presented to the competitors including the reserve and team captains
Individual medals will be presented to the top three anglers.
4. Other prizes for and trophies may be provided by the organisers for the most, heaviest, unusual or as required.

K. Protest

An amount of 100 € or an equivalent amount in currency of the organisational country has to be paid for every written protest presented to the international jury.

The jury meets at the latest one hour after the announcement of the results and takes a decision after one hour of deliberations. The decision is binding for each one.

The decision must be recorded in writing, and shall be sent to the general secretary of FIPS/M.

The jury must pay attention to the person, who presented the protest, the persons concerned and the competition manager if possible.

The decision of the jury shall be in accordance to the statutes of FIPS/M, to the FIPS/M competition rules, and with the agreements made for the event, and in this indicated order.

If the jury gives its agreement to the protest, a member of the jury returns immediately the protest fee to the protest raiser. The management of the competition takes the necessary measures to correct the situation, or eventually makes the necessary corrections.

If the protest is judged negatively the jury shall transfer the amount of the protest fee to the account of FIPS/M in the CIPS.

The decision of the jury has to be proclaimed.

In exceptional circumstances when a dispute cannot be resolved by the jury, it will be up to the FIPS-M Board to decide on a sentence, which may go as far as disqualifying a team or even a nation. The financial consequences of such a decision may not be at the charge of FIPS-M.

It is the same when a team leaves the competition without having issued protest in good and due form to the Jury, the financial consequences will be charged to the team or the nation it represents.

In such case the involved federation is not allowed to subscribe a team in this discipline the following year.

L. External Observers for Shore Angling Championships

Installation external controls for the anglers of the host (organizing) nation during the Shore Angling Championships.

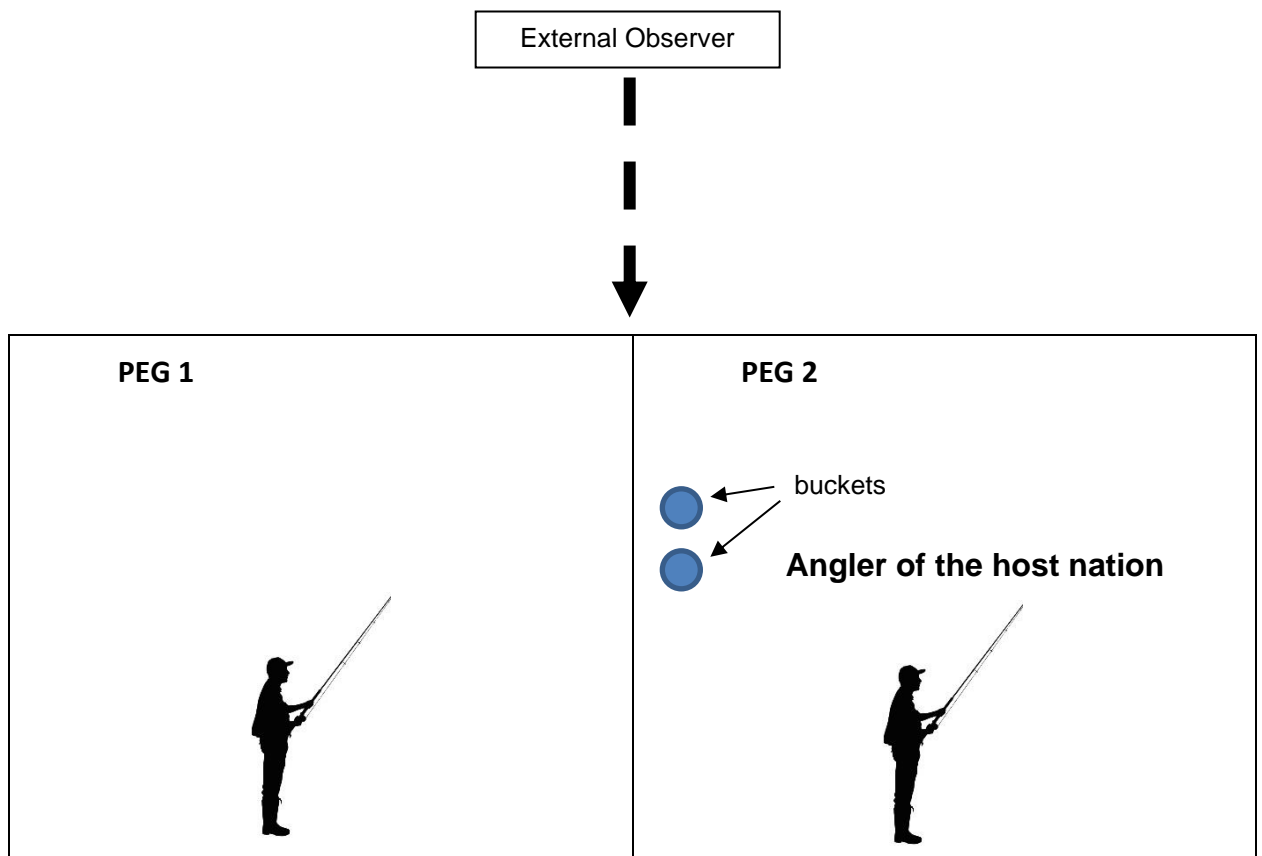
The procedure will be as follows:

During the captains' meeting, the FIPS-M delegate will announce that all captains, vice-captains and reserves (except Youth Ch.) can act as external observers. He will prepare a numbered list with the observer's paraph. So, each observer will have a distinctive number.

The FIPS-M delegate will do a briefing on the role (rights) and how these observers must proceed. Their only role will be to observe the fish measurement of the host nation's anglers in the presence of the regular stewards. The observer will be able to enter the angler's peg to the buckets along the border between two fishing spaces and observe the measurement in progress. The observer will also paraph the scoring sheet and observe the fish being released into the water. If the fish is dead, he will observe the cutting of the tail of the fish and the collecting of this fish by the steward. After these checks, he must immediately leave the angler's peg.

External observers are not located in a specific sector but are free to move to all sectors. When a fish is caught, the steward of the organizing country will signal to the outside observer by brandishing a flag. The closest external observer must react directly.

The FIPS-M delegate(s) can act as an observer and validate the fish.



M. Annex

Cases of disqualification (non-exhaustive list)

- Any competitor who uses or possesses hooks outside of FIPS-M rules during competition.
- The use of additives for baits (such as dyes or odorants).
- The use of bait other than that provided by the organization
- Use of unauthorized equipment
- The action of trying to hook the fish with jerky movements or line jumps
- Place more than 3 floats per leader
- Place floats larger than 15 mm (1.5 cm)
- Keeping or trying to present for measure a fish not caught by himself to the commissioner
- Dispute and violent fight between 2 anglers lead to the disqualification of both
- Smoking and drinking alcoholic beverages in the fishing area or on the boat by the angler, the captains and the officials will lead to the disqualification of the persons involved.
- Cutting or biting tangled lines or the lines of other anglers without the permission of all anglers involved and in the presence of the steward or FIPS-M representative.
- Treatment of fish contrary to sporting ethics, e.g. kicking, throwing the fish with unnecessary violence into the water or onto the ground.

Warning of the angler (non-exhaustive list)

(The angler's second warning in evidence, for any infraction, results in disqualification even if the second infraction is made on another day of the competition)

- Resuming fishing before putting the captured fish in a container with fresh water. The fish will not count for the ranking and the angler will be warned. He will be disqualified imperatively in case of repetition.
- Casts must be made straight ahead of the angler's position. In certain circumstances (very strong winds or currents) casting can be done upstream, but always in a way that other anglers are not disturbed.
- The choice of weights is free; however, the weight cannot be less than the authorized weight. In extreme weather conditions, heavier weights or even grapple weights must be used so as not to disturb neighbouring competitors.
- Permission to leave the competition area for a short time may be given by the commissioner. In this case the line must be taken out of the water.
- Incorrect behaviour vis-à-vis the steward or jury by the competitor or the captain
- At the end of the event, the competitor must retrieve his line quickly unless he is retrieving a fish caught just before the end of the event.
- The visible placement of the bib is mandatory.
- The use of a cell phone or other transmitter, fish detector, GPS, etc. by the competitor is prohibited.
- Fishing outside the position assigned to him by the draw (fish caught do not count and time lost will not be recovered)
- The angler who, at the end of fishing, does not collect his waste, will be warned for the first time. He will be disqualified in case of a repeat.